



# Read Before Using Quick Start Guide

HT-503 Fax Adapter

# Welcome!

Please follow the simple steps in this Quick Start Guide to begin using FaxLogic with your fax machine or multi-function device. For more information, visit us Online at <http://www.faxlogic.com>.

## Package Contents

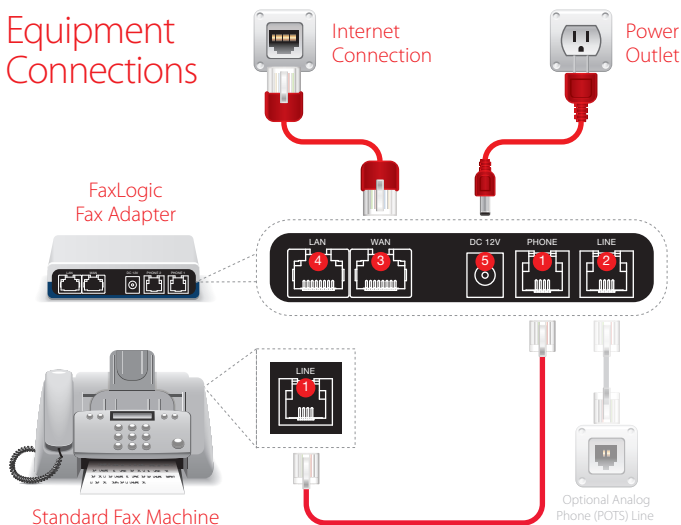
- HandyTone Fax Adapter
- 12V Power Adapter
- Ethernet Cable
- Telephone Cable
- Quick Start Guide

# Setup Requirements

To connect your fax machine or multi-function device to FaxLogic, you'll need the following items:

- A standard fax machine or multi-function device
- A telephone cable (normally supplied with fax machine)
- An electrical power outlet
- A network Ethernet port
- Internet service

# Equipment Connections



Connect your fax machine to the fax adapter using the power supply included with the fax adapter. Using any other power source may damage the fax adapter.

- 1 Connect your fax machine telephone cable to the fax adapter PHONE port
- 2 Using the supplied telephone cable, connect the fax adapter LINE port to an analog (POTS) phone line (optional)<sup>1</sup>
- 3 Using the supplied Ethernet cable, connect the fax adapter WAN port to a network Ethernet port
- 4 Connect your computer Ethernet cable to the fax adapter LAN port (optional)<sup>2</sup>
- 5 Using the supplied power adapter, connect the power adapter output cord to the fax adapter DC/12V port, and plug the power adapter unit into an electrical outlet

<sup>1</sup> If you have a dedicated fax line and you plan to port your fax number to FaxLogic, connect the fax adapter to the analog phone line. Once porting is complete, all faxes will be available in your FaxLogic account.

<sup>2</sup> To share a single network Ethernet port, connect your computer to the fax adapter, and connect the fax adapter to the network.

# Questions?

<http://support.faxlogic.com>



© Copyright 2011 FaxLogic, LLC. All Rights Reserved.

Company names used herein are trademarks or servicemarks of their respective owners. By using or activating FaxLogic service(s) and/or Fax Adapter equipment, the user/activator (Subscriber) agrees to be bound by the terms and conditions of the Terms of Use Agreement set forth at [www.faxlogic.com/legal](http://www.faxlogic.com/legal).